



# Room Air Conditioner

## SVC MANUAL(Exploded View)

**MODEL : AS-W096F\*G2 (A09AW\* NF2/A09AWU UF2)  
AS-W126F\*G2 (A12AW\* NF2/A12AWU UF2)**

### **CAUTION**

Before Servicing the unit, read the safety precautions in General SVC manual.  
Only for authorized service personnel.

# 1. Specification

Models			AS-W096F*G2 [A09AW* SF2]	AS-W126F*G2 [A12AW* SF2]
Cooling Capacity	Min	kcal/h.(W)	1,118(1,300)	1,118(1,300)
		Btu/h	4,436	4,436
	Rating	kcal/h.(W)	2,320(2,700)	3,010(3,500)
		Btu/h	9,210	11,940
	Max	kcal/h.(W)	3,009(3,500)	3,439(4,000)
		Btu/h	11,942	13,648
Heating Capacity	Min	kcal/h.(W)	1,118(1,300)	1,118(1,300)
		Btu/h	4,436	4,436
	Rating	kcal/h.(W)	3,009(3,500)	3,610(4,200)
		Btu/h	11,940	14,330
	Max	kcal/h.(W)	3,611(4,200)	4,299(5,000)
		Btu/h	14,330	17,060
Power Input (Rated)	Cooling	W	830	1,090
	Heating	W	960	1,160
Running Current (Rated)	Cooling	A	3.8	4.9
	Heating	A	4.4	5.2
Starting Current	Cooling	A	4.5	5.7
	Heating	A	5.2	6.9
EER		kcal/h.W	2.80(3.25)	2.76(3.21)
		Btu/h.W	11.10	10.95
COP		W/W	3.65	3.62
Power Supply		Ø.V.Hz	1,220-240,50	1,220-240,50
Power Factor		%	94.97	96.72
Air Circulation	Indoor,Max	m <sup>3</sup> /min(CFM)	8(283)	10.5
	Outdoor,Max	m <sup>3</sup> /min(CFM)	26(918)	34(1,200)
Moisture Removal		l/h.(pts/h.)	1.2(2.5)	1.5(3.2)
Noise Level (Sound Pressure,1m)	Indoor,High	dB(A) ±3	42/43	42/43
	Med.	dB(A) ±3	36	36
	Low	dB(A) ±3	23	25
	Outdoor,Max	dB(A) ±3	48	48
	Features	Temperature Control		Thermistor
	Plasma Filter		Nano	Nano
	Deodorizing Filter		-	-
	Auto Clean		Yes	Yes
	CHAOS Wind(Auto Wind)		Yes	Yes
	Airflow Direction(4-Way:Option)		4-way	4-way
	Steps, Fan/Cool		3/4	3/4
	Airflow Direction Control(up&down)		Auto	Auto
	Airflow Direction Control(left&right)		Auto	Auto
	Remoon Type		Wireless LCD	Wireless LCD
	Setting Temperature Range	Cool	18-30	18-30
		Heat	16-30	16-30
	Temperature Increment		1	1
	Auto Operation (Micom Control)		-	-
	Auto Changeover (Micom Control)		Yes	Yes
	Self Diagnosis		Yes	Yes
	Timer		24h, On/Off	24h, On/Off
	Sleep Operation		Yes	Yes
	Soft Dry Operation		Yes	Yes
	Restart Delay(minute)		2	2
	Deice Control(Defrost)		Yes	Yes
	Hot Start		Yes	Yes
	Jet Cool		Yes	Yes
	Special Function		Low Ambient kit.	Low Ambient kit.
Refrigerant(R410A) Charge		g(oz)	1,000(35.3)	1,000(35.3)
Compressor	Type		Rotary	Rotary
	Model		5RS102XAA21	5RS102XAA21
	Maker		Matsushita	Matsushita
	Capacity	kcal/h.(Btu/h.)	2,248(8,922)	2,248(8,922)
	Motor Type		Brushless DC Motor	Brushless DC Motor
	Motor Input	W	700	700
	Oil Type		FV50S	FV50S
	Oil Charge	cc	320	320
	O.L.P Name		CS-7L 115	CS-7L 115
	Blower Motor	Input	W	42
Output		W	24	24
Fan Motor	Model		SIC-67FV-D843-1	SIC-67FV-D843-1
	Motor Type		BLDC	BLDC
	Motor Input	W	-	-
	Motor Output	W	43	43
Circuit Breaker		A	15	15
Power Cord		AWG#·P*mm <sup>2</sup>	16:3*1.0	16:3*1.0
Connecting Cable		AWG#·P*mm <sup>2</sup>	16:4*1.5	16:4*1.5
Connecting Tube (Ø. Socket Flare)	Liquid Side	mm(in)	6.35(1/4)	6.35(1/4)
	Gas Side	mm(in)	9.52(3/8)	9.52(3/8)
	Length,std	m(in)	7.5(295)	7.5(295)
Drain Hose	(O.D., I.D)	mm(in)	21.5,16.0(0.85,0.63)	21.5,16.0(0.85,0.63)
Dimension	Indoor (W*H*D)	mm	600*600*146	600*600*145
		inch	23.6*23.6*5.7	23.6*23.6*5.7
	Outdoor (W*H*D)	mm	770*545*245	770*540*245
		inch	30.3*21.3*9.6	30.3*21.3*9.6
Net Weight	Indoor	kg(lbs)	15(33.1)	14(30.9)
	Outdoor	kg(lbs)	32(70.55)	34(74.96)
Stuffing Quantity	With S/Parts	20/40ft	87/178	87/178
	Without S/Parts	20/40ft	88/180	88/180
Tool Code	Indoor + Outdoor		SF + UL	SF + UL

**Note:**

○ : Applied, - : No relation

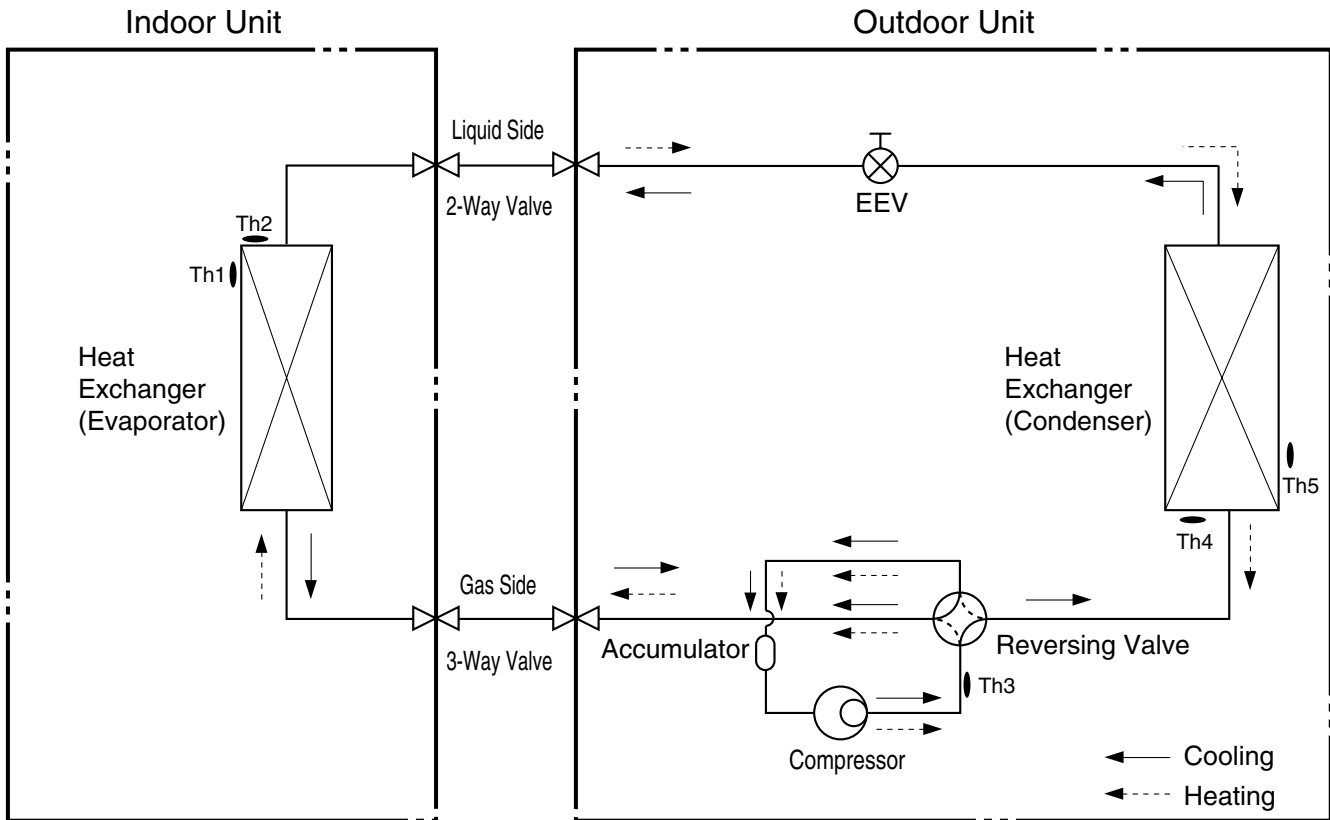
\* For circuit breaker rating, please conform to local standards wherever necessary.

\* Some of functions are slightly different depending upon models.

\* The specification may be subject to change without prior notice for purpose of improvement.

\* Capacity : based on 230V

## 2. Piping Diagrams

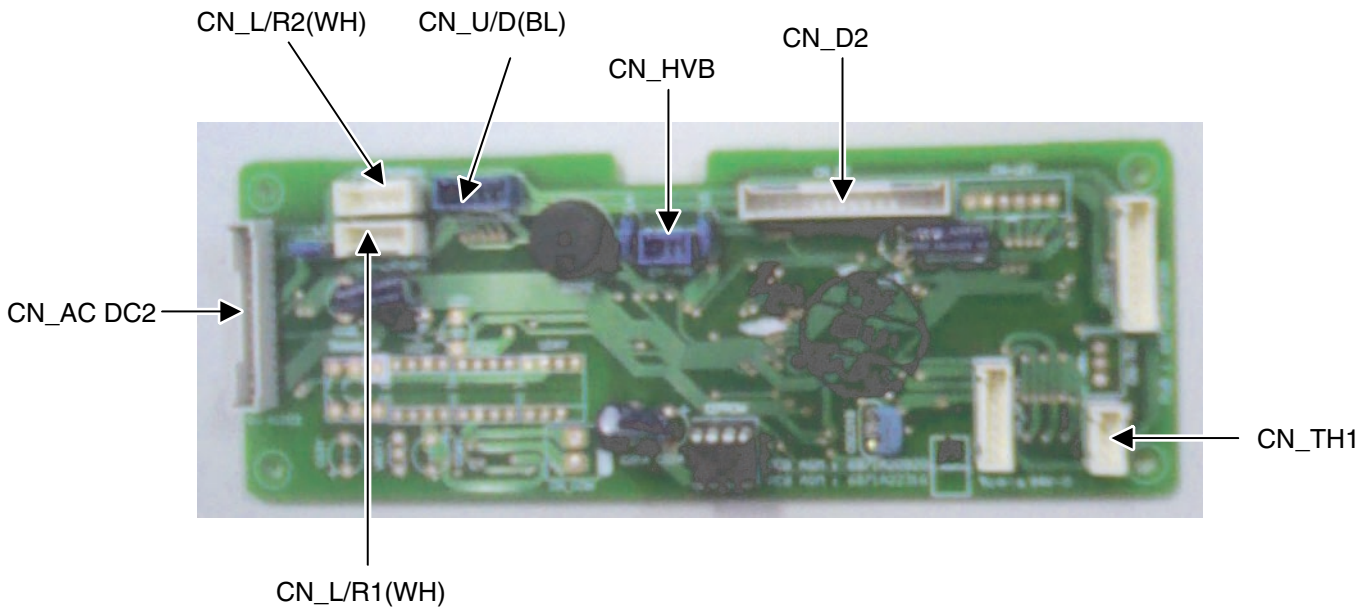
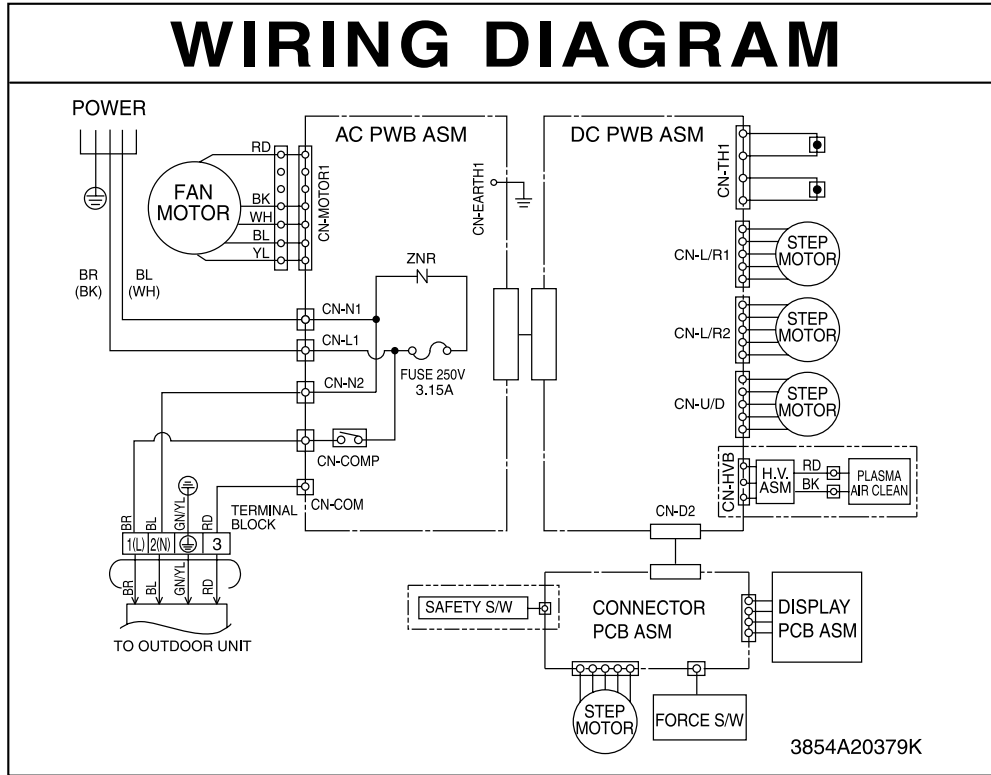


LOC.	Description	PCB Connector
Th1	Thermistor for indoor air temperature	CN_TH1(INDOOR)
Th2	Thermistor for evaporating temperature	
Th3	Thermistor for discharge pipe temperature	CN_D_PIPE(OUTDOOR)
Th4	Thermistor for condensing temperature	CN_TH1(OUTDOOR)
Th5	Thermistor for outdoor air temperature	

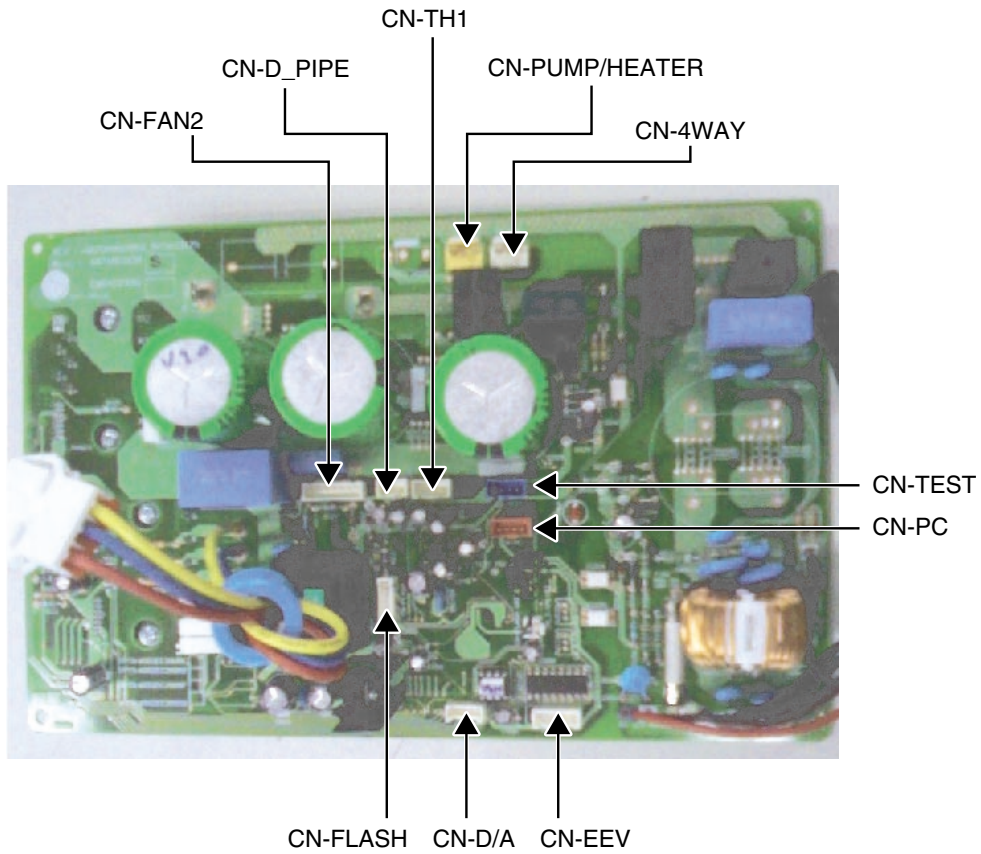
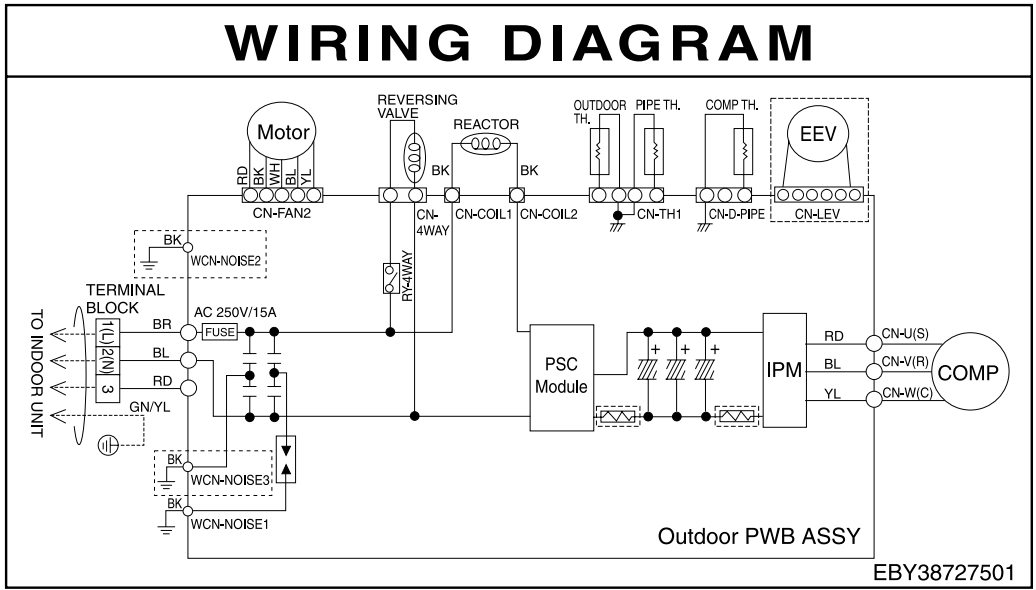
\* EEV : Electronic Expansion Valve.

### 3. Wiring Diagrams

#### Indoor Unit

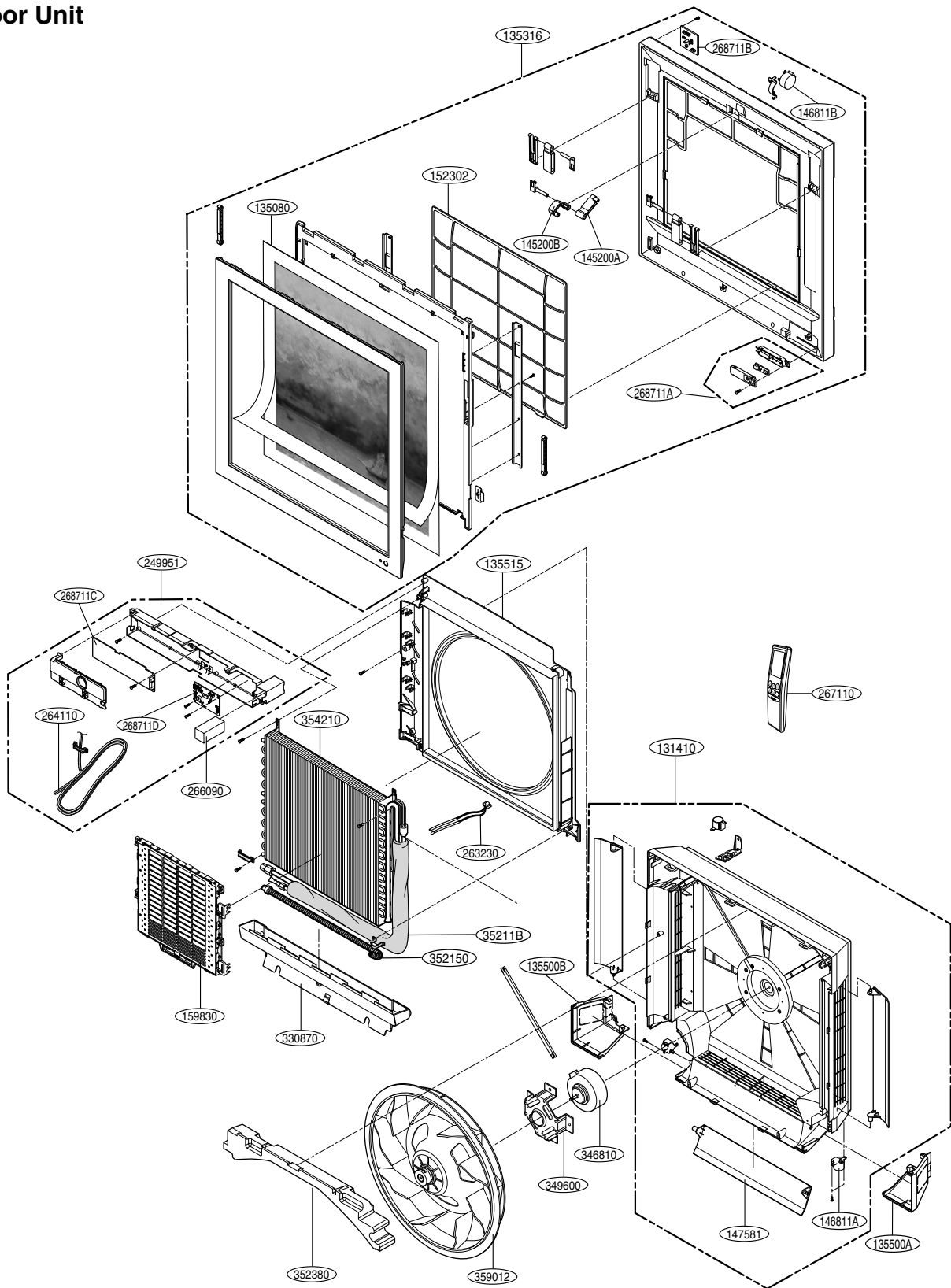


# Outdoor Unit



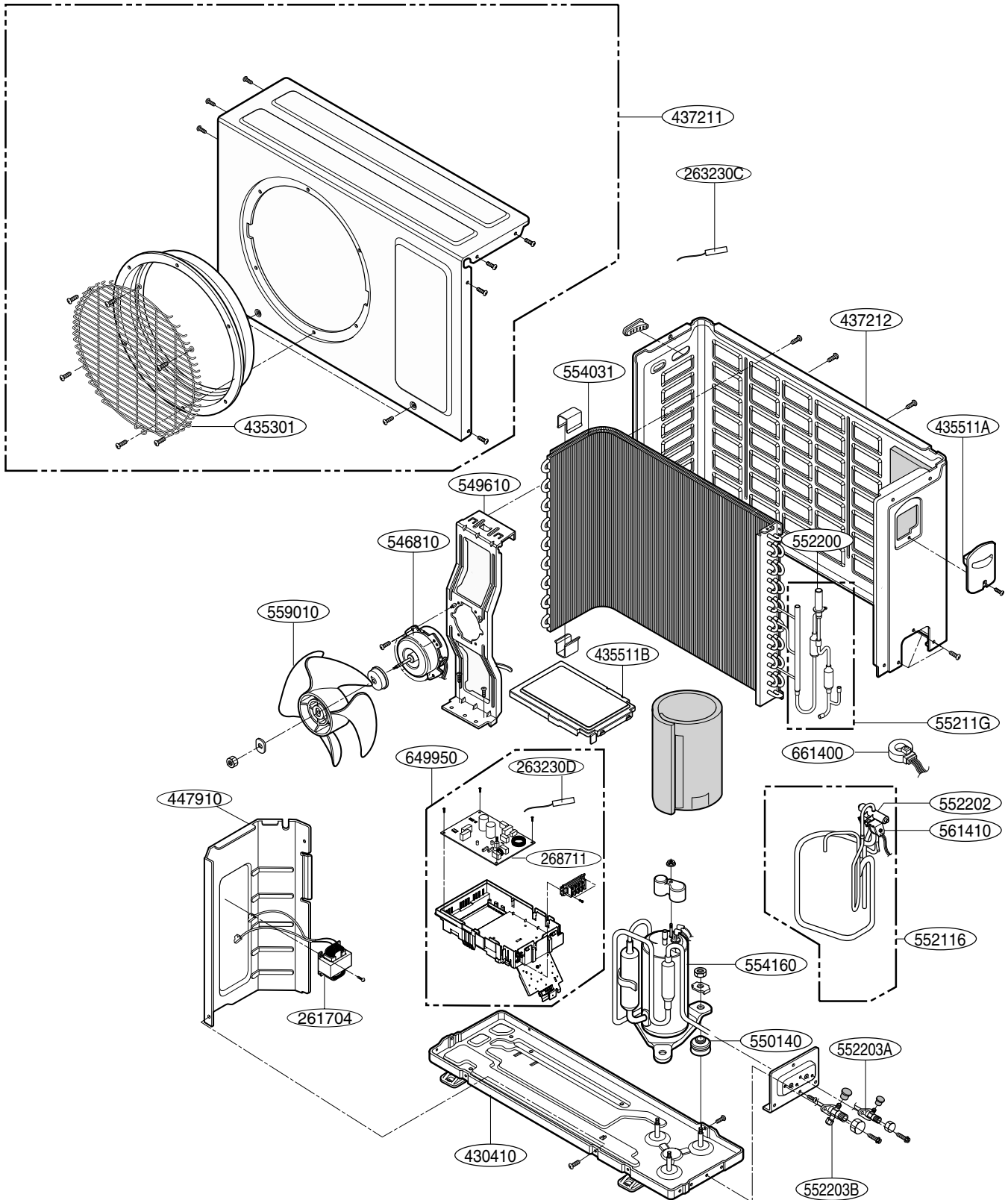
## 4. Exploded View

### Indoor Unit



Note) \* Please ensure GCSC since the replacement parts may be changed depending upon the buyer's request.  
Please check the correct parts in View RPL(Replacement Part List) on GCSC.  
(GCSC Website <http://biz.Lgservice.com>.)

# Outdoor Unit



Note) \* Please ensure GCSC since the replacement parts may be changed depending upon the buyer's request.  
 Please check the correct parts in View RPL(Replacement Part List) on GCSC.  
 (GCSC Website <http://biz.Lgservice.com>.)



P/NO : MFL42286401

December, 2007